

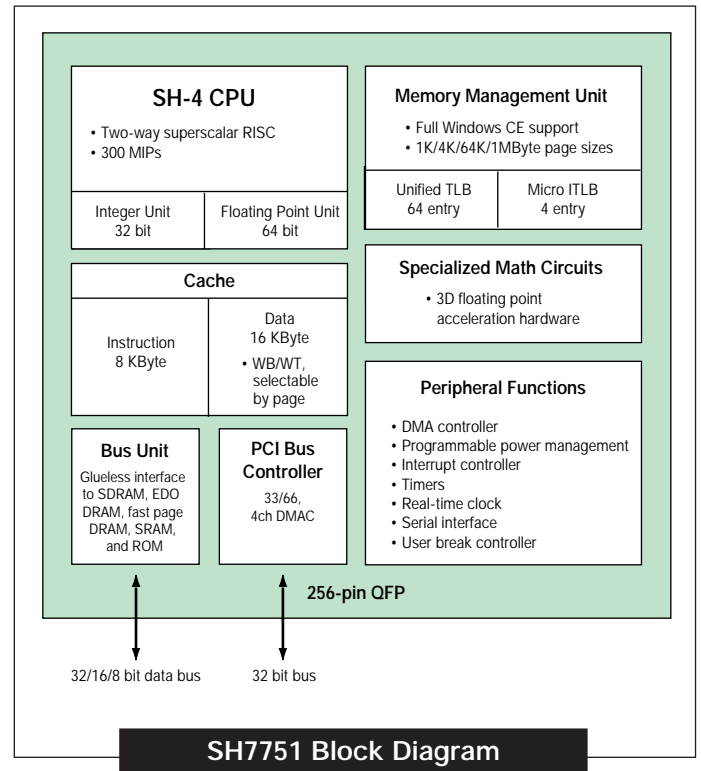
### Description

The SH775x (SH-4) series is a high-performance, well integrated, cost-effective, 2-issue superscalar RISC microprocessor for embedded applications. The SH775x series delivers best-in-class performance, on-chip integration and code size, with excellent low power consumption, support tools and chipsets from Hitachi and third party vendors, as well as a migration path to higher performance and lower power. This complete package makes the SH775x series the optimal choice for use in data processing, communications, industrial, transportation and high-end consumer applications.

The SH775x series' 3D graphics capability (arithmetic accelerator) combines with the 100MHz, 64-bit external bus to deliver 800MB/s data throughput for workstation-class performance at an affordable price. Several operating systems and middleware applications run on the processors, with more in development.

### Features

- General
  - Up to 200 MHz/360 MIPS
  - 16 x 32-bit general purpose registers
- CPU
  - Code compatible with SH-3 series
  - 16 x 32-bit general purpose registers
  - 32 x 32-bit single-precision floating point registers or 16 x 64-bit double-precision floating point registers or 4 x 128-bit single-precision vector registers and register matrix
  - 16-bit fixed instruction length for high code density
  - 32 x 32 + 64 → 64 bits multiply-accumulate unit for special functions such as software modems
  - MMU Designed for Windows®CE 1KB, 4KB, 64KB, and 1MB page sizes, 64-entry, fully associative TLB for instructions and operands
  - 4 entry, fully associative TLB for instructions
  - 5 stage pipeline
- Memory
  - On-chip cache, 8KB instruction and 16KB data
    - Write back or write through, selectable by page
    - Low voltage cache to reduce power consumption
  - On-chip bus state controller allows direct connection to DRAM, SDRAM, SRAM, ROM, and Flash ROM
    - 8, 16, 32, or 64-bit data bus support
- PCI Bus Controller
  - 32-bit PCI bus controller (Rev 2.1)
    - 33/66MHz operation
  - Host/Slave mode support
    - Supports up to 4 channels @ 33MHz, 1 channel @ 66MHz



- Operation clock
  - Choose from internal clock or external clock (with divider)
- Dedicated 4-channel PCI DMAC
  - PCI to/from memory located on SuperH bus (Bus arbitration capability between DMAC on PCI bus and SuperH bus)
  - On-chip FIFO enables fast data transfer
- Peripherals
  - DMA, 4 channels
  - Timers, 3 channels x 32-bits
  - Watchdog timer
  - Realtime clock
  - PCMCIA control logic
  - Serial communications interface, 1 channel (asynchronous/synchronous, with smart card interface)
  - Serial communication interface 1 channel (asynchronous, with 16 byte transmit and receive FIFOs)
  - PLL with x1/8, x1/6, x1/4, x1/2, x3/4, x1, x3/2, x2, x3, x6 external clock capability
  - Interrupt controller
- General purpose I/O, 16 lines
- Dynamic power control
  - Low power modes: sleep and standby
  - Peripheral turn off capability
- User break controller for on-chip debugging

## Support

### Hardware:

- Hitachi E10A emulator (HS7750KCM01H - PCMCIA Interface)
- Hitachi D9000 development platform for SH7750 and Windows<sup>®</sup>CE

### Software:

- Hitachi:
  - C, C++ compiler, assembler, simulator/debugger
- Third parties:
  - C, C++ compiler, assembler, simulator/debugger, Cygnus Support (gnu), Green Hills Software, Microsoft<sup>®</sup> VC++ for WindowsCE

### Operating Systems:

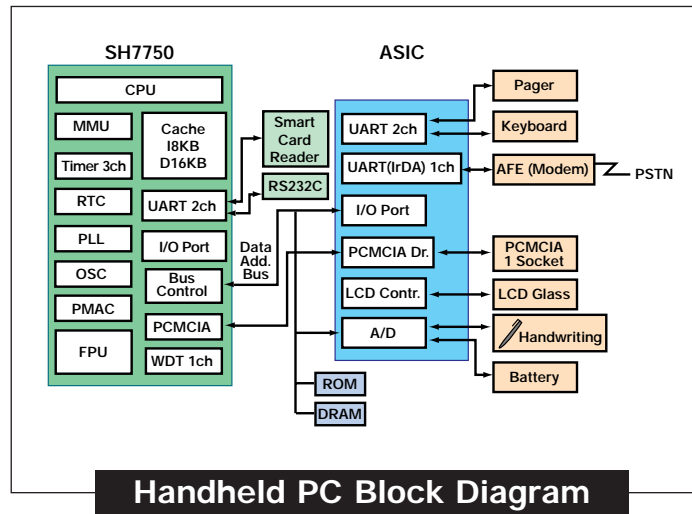
- WindowsCE, Hitachi OS, Wind River

## Middleware

- V.90 (up to 56 Kbps) Data/FAX software modem
- Voice recognition
- Voice compression
- Handwriting recognition
- JPEG video compression
- Image compression for FAX: MH, MR, MMR

Complete SH-4 documentation is available at <http://semiconductor.hitachi.com>

This document may be subject to change without notice.



## SH-4 Comparison Table and Ordering Information

	SH7750	SH7750V	SH7751	SH7751V
Architecture	32b/2-way	32b/2-way	32b/2-way	32b/2-way
Cache (I+D)	8K + 16K	8K + 16K	8K + 16K	8K + 16K
Instruction	16b	16b	16b	16b
Registers	32b * 16w	32b * 16w	32b * 16w	32b * 16w
Memory-Bus	64b	64b	32b	32b
Peripherals	(All devices) MMU, DMAC, Timer, SCI, RTC, JTAG, Glueless Memory			
PCI-interface	---	---	33/66MHz	33/66MHz
I/O Voltage (V)	3.3	3.3	3.3	3.3
Voltage (V)	1.8	1.5	1.8	1.5
Freq. (MHz)	167/200	128	167	133
MIPS (Dhrystone)	360	230	300	240
Peak GFLOPS	1.4	0.9	1.2	0.9
Typ. Power (mW)	900	400	400	240
Sleep Power (mW)	150	75	100	50
Standby Cur. (µA)	50	50	50	50
MIPS/W	400	575	750	1000
Package	208-QFP/ 256-BGA	208-QFP	256-QFP	256-QFP
Part No.	<b>HD6417750F167/ HD6417750BP200</b>	<b>HD6417750VF128</b>	<b>HD6417751F167</b>	<b>HD6417751VF133</b>

## Contacts

<http://semiconductor.hitachi.com>

### U.S. Headquarters

179 East Tasman Drive, San Jose, CA 95134

<http://semiconductor.hitachi.com>

To order literature: (800) 285-1601 Fax: (303) 297-0447

### Distributors

Avnet EMG .....(800) 332-8638  
 Insight Electronics .....(800) 677-7716  
 Marshall Industries .....(800) 522-0084  
 Repron Electronics .....(800) 800-5441  
 Sterling Electronics .....(800) 745-5500

### Area Offices

**Western**  
 1740 Technology Drive  
 Suite 500  
 San Jose, CA 95110  
 (408) 451-9570

**Central**  
 wo Lincoln Centre  
 Suite 1446  
 5420 LBJ Freeway  
 Dallas, TX 75240  
 (972) 991-4510

**Eastern**  
 25 Mall Road  
 Burlington, MA 01803  
 (781) 229-2150

### Regional/District Sales Offices

**Irvine**  
 2030 Main Street  
 Suite 450  
 Irvine, CA 92614  
 (714) 553-8500

**San Diego**  
 8885 Rio San Diego Drive  
 Suite 310  
 San Diego, CA 92108  
 (619) 299-9944

**Dearborn**  
 Fairlane Plaza North  
 Suite 311  
 290 Town Center Drive  
 Dearborn, MI 48126  
 (313) 271-4410

**Itasca**  
 500 Park Boulevard  
 Suite 415  
 Itasca, IL 60143  
 (630) 773-4864

**Austin**  
 6907 Capitol of Texas  
 Highway, Suite 210  
 Austin, TX 78731  
 (512) 418-9360

**Raleigh**  
 5511 Capitol Center Drive  
 Suite 204  
 Raleigh, NC 27606  
 (919) 233-0800

**Florham Park**  
 325 Columbia Turnpike  
 Suite 203  
 Florham Park, NJ 07932  
 (973) 514-2100

**Fishkill**  
 21 Old Main Street  
 Suite 206  
 Fishkill, NY 12524  
 (914) 897-3000

**Ottawa**  
 320 March Road  
 Suite 602  
 Kanata, Ontario,  
 Canada K2K2E3  
 (613) 591-1990

**Toronto**  
 6740 Campobello Road  
 Mississauga, Ontario  
 Canada L5N 2L8  
 (905) 826-1363

**Calgary**  
 10655 Southport Road  
 Southwest, Suite 460  
 Calgary, Alberta  
 Canada T2W4Y1  
 (403) 278-1881